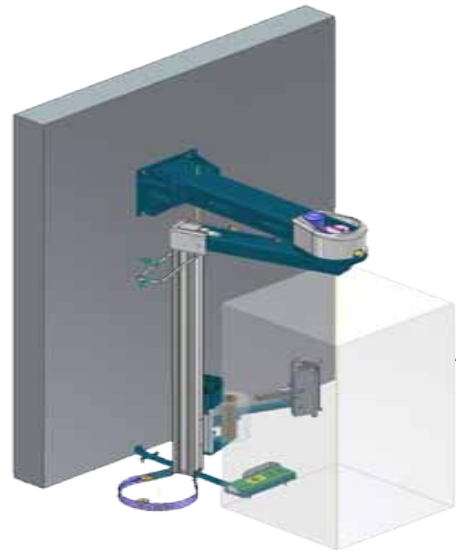




ROTOWRAP W LP AS

ROTOWRAP LP-AS wrapping machines are built following the high standards of all ROBOPAC machines. End-of cycle film gripping, cutting and sealing are fully automatic.

Whether in the self-standing version or the column version ROTOWRAP LP-AS machines will effectively handle all aspects of fully automated load wrapping. These machines are unequalled for durability, with performance levels at the top of the class. Rotowrap LP-AS machines are available with FR or PDS carriages.



TECHNICAL SPECIFICATIONS

ROTOWRAP W LP AS Rotating Arm Stretch Wrapping Machine	
Carriages	FR: Film stretch with electro-mechanical brake PDS: Double pre-stretch system
Machine Characteristics	
Arm rotation speed	4÷12 rpm
Upward/downward carriage speed	1,6 ÷ 4,4 m/min
Power supply voltage	230 Volt 1 Ph – 50/60 Hz
Installed power (Rotowrap W LP AS – FR)	2 Kw
Installed power (Rotowrap W LP AS – PDS)	2.6 Kw
Machine's height	3100 mm
Machine's weight (Rotowrap W LP AS – FR)	560 Kg
Machine's weight (Rotowrap W LP AS – PDS)	580 Kg
Automatic cut and clamp unit	STD
Film tail sealer	STD

Characteristics of the product to be wrapped	
Maximum dimensions (LxW):	1000 x 1200 mm
Maximum useful height:	2200 mm

Film spool characteristics	
Max. external diameter (D):	300 mm
Film spool height (h):	500 mm
Film thickness:	17-35 µm
Internal diameter (d):	76 mm
Max. weight:	20 kg