

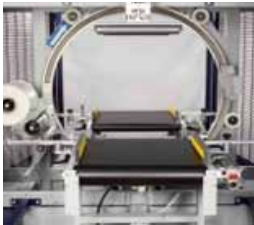
## ORBIT 4

The Orbit Range is where two technologies meet. The flexibility needed by high speed and high performance line machines becomes available on Entry Level horizontal machines to be added to work cells or integrated lines. All Orbit machines are equipped with anti-accident protection applying the most recent, restrictive European safety standards for line machines. Machines were designed to house highly different power and product sealing devices during processing. In this way, Orbit Range machines adapt to different product types, shapes and sizes becoming that ideal range for all industrial sectors.



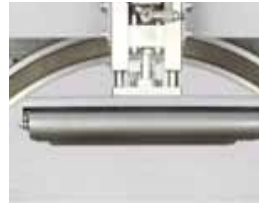
## DISTINGUISHING MARKS

### RING



The highly resistant rotating ring is supported by high-resistance polyamide resin rollers and it is built in single casting aluminum. This guarantees great strength and reliability of the circular motion.

### PRESSURE



The vertical pressure units automatically settle in order to ensure a correct stabilisation of the product during strapping. The length of the run can be adjusted manually to ease positioning of the pressure units on the products of different heights.

### SPOOL CARRIAGE



The Spool carriage unit has a direct breaking transmission roller and it is adjustable at any time it also eases spool loading and film insertion to a maximum. The tensioning unit guarantees optimal use of the film during the wrapping process. This feature is obtained using a mechanical dancer unit. The spool carriage device is equipped with locking and quick release of the spool.

### CONTROL PANEL



The control panel has been newly designed, adopting it to a touch screen. Thanks to the large color screen this new panel allows you to create programs simply and immediately. It is supplied with more memory to record up to eight different programs.



## CLAMPING AND CUTTING UNIT

The automatic highly reliable dual rod clamping and cutting system fully automates the wrapping process.

## TECHNICAL SPECIFICATIONS

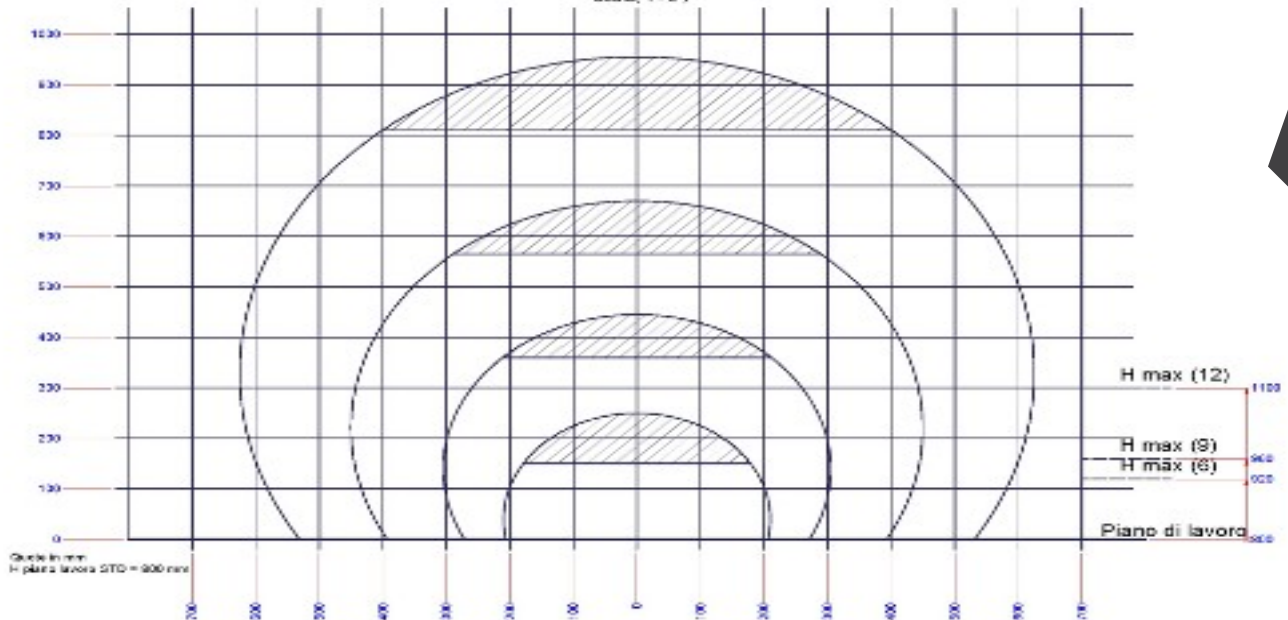
| <b>ORBIT 4</b><br>Horizontal orbital automatic wrapping machine                |                         |
|--|-------------------------|
| <b>Machine Characteristics</b>   |                         |
| Ring rotation speed  | 160 rpm                 |
| Belt driven ring rotation  | STD                     |
| Spool holder with frictioned roller  | STD                     |
| Pneumatic cold clamping/cutting unit   | STD                     |
| Power infeed and outfeed conveyor belts: L=600 mm                              | STD                     |
| Belt width   | 220 mm                  |
| Fixed-height belt  | 800 mm                  |
| Infeed and outfeed side guides   | OPT                     |
| Infeed and outfeed pressors<br>Roller diameter: 44 mm<br>Roller length: 240 mm | STD                     |
| Variable conveyor speed  | 8÷17 m/1'               |
| Compressed air consumption   | 3,5 NL/cycle            |
| Power supply voltage   | 400 V. 3Ph +N- 50/60 Hz |
| Installed power  | 0,9 KW                  |

| <b>Film spool characteristics</b> |           |
|-----------------------------------|-----------|
| Max. external diameter (D):       | 200 mm    |
| Film spool height (h):            | 50-125 mm |
| Film thickness:                   | 17-50 µm  |
| Internal diameter (d):            | 76 mm     |

## SUITABLE FOR THE FOLLOWING PRODUCTS

### DIMENSIONI PRODOTTI LAVORABILI COMPACTA S / ORBIT 4-6-9-12

Scale 1 : 5



## LAYOUT

| MACHINE DIMENSIONS |          | MACHINE ARMESLING |         |         |          |
|--------------------|----------|-------------------|---------|---------|----------|
| MACHINE            | MASCHINE | 4                 | 6       | 9       | 12       |
| L mm               | L mm     | 1995              | 1995    | 2100    | 2270     |
| W mm               | W mm     | 1258              | 1462    | 1920    | 2290     |
| H mm               | H mm     | 1350              | 1755    | 2162    | 2339     |
| H' mm              | H' mm    | 800 (fissa)       | 800-920 | 800-990 | 800-1100 |

