

ORBIT 9

The Orbit Range is where two technologies meet. The flexibility needed by high speed and high performance line machines becomes available on Entry Level horizontal machines to be added to work cells or integrated lines. All Orbit machines are equipped with anti-accident protection applying the most recent, restrictive European safety standards for line machines. Machines were designed to house highly different power and product sealing devices during processing. In this way, Orbit Range machines adapt to different product types, shapes and sizes becoming that ideal range for all industrial sectors.



DISTINGUISHING MARKS

SPOOL CARRIAGE UNIT



The Spool carriage unit has a direct breaking transmission roller and is adjustable at any time it also eases spool loading and film insertion to a maximum. The spool carriage device is equipped with locking and quick release of the spool.

INFEEED AND OUTFEED PNEUMATICALLY OPERATING TOP PRESSURE UNITS



The vertical pressure units automatically settle in order to ensure correct stabilisation of the product during strapping. The length of the run can be adjusted manually to ease positioning of the pressure units on the products of different heights.

CUTTING AND CLUMPING UNIT



The automatic highly reliable dual rod clamping and cutting system fully automates the wrapping process.

COLOUR TOUCH SCREEN CONTROL PANEL



7" 65.000 colour touch screen. Machine controls and functions are simply managed by pressing the icons on the screen.



BELT HEIGHT ADJUSTABLE FROM 800 TO 950 MM L= 600 MM

TECHNICAL SPECIFICATIONS

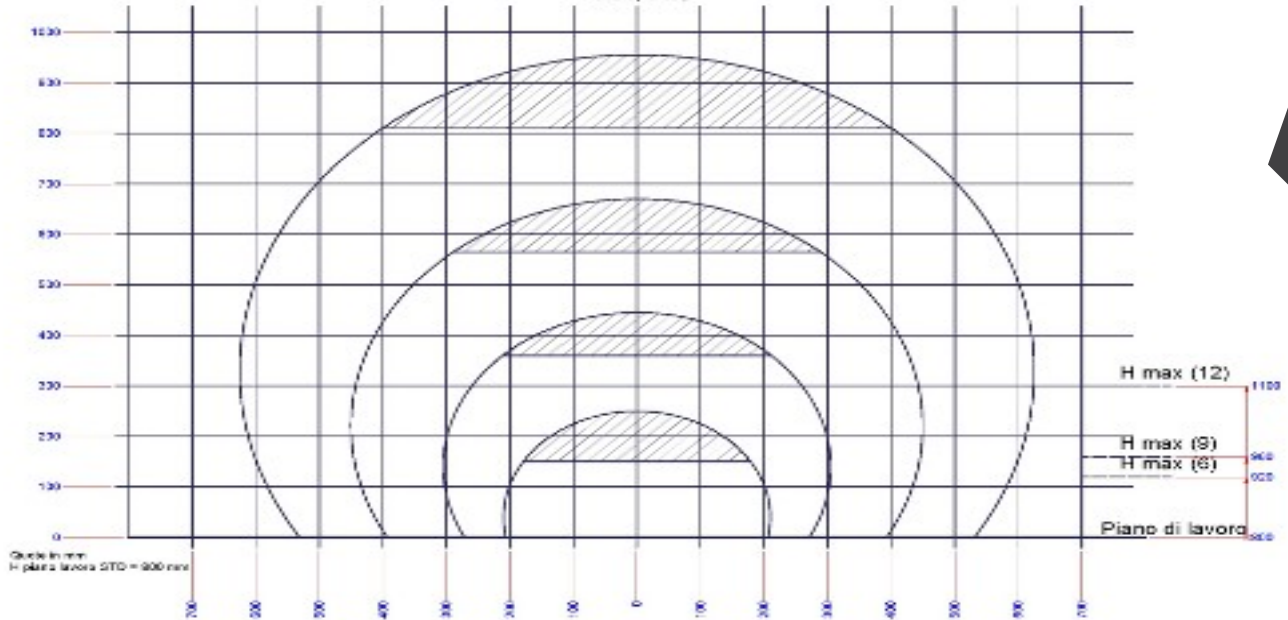
| ORBIT 9 Horizontal orbital automatic wrapping machine | |
|--|---|
| Machine Characteristics | |
| Ring rotation speed | 75 rpm (with 125 spool) 60 rpm (with 250 spool) |
| Belt driven ring rotation | STD |
| Spool holder with frictioned roller | STD |
| Pneumatic cold clamping/cutting unit | STD |
| Power infeed and outfeed conveyor belts: L=600 mm | STD |
| Belt width | 305 mm |
| Belt height adjustable | from 800 to 950 mm |
| Infeed and outfeed side guides | OPT |
| Infeed and outfeed pressors Roller diameter: 44 mm Roller length: 240 mm | STD |
| Variable conveyor speed | 2÷8 m/1' (with 125 spool) 4÷14 m/1' (with 250 spool) |
| Compressed air consumption | 9,4 NL/cycle (with 125 spool) 10,8 NL/cycle (with 250 spool) |
| Power supply voltage | 400 V. 3Ph +N- 50/60 Hz |
| Installed power | 1.1 KW |

| Film spool characteristics | |
|-----------------------------------|--------------|
| Max. external diameter (D): | 200 mm |
| Film spool height (h): | 125 - 250 mm |
| Film thickness: | 17-50 µm |
| Internal diameter (d): | 76 mm |

SUITABLE FOR THE FOLLOWING PRODUCTS

DIMENSIONI PRODOTTI LAVORABILI
COMPACTA S / ORBIT 4-6-9-12

Scale 1 : 5



LAYOUT

| MACHINE DIMENSIONS | | MACHINE ARMESLING | | | |
|--------------------|----------|-------------------|---------|---------|----------|
| MACHINE | MASCHINE | 4 | 6 | 9 | 12 |
| L mm | L mm | 1995 | 1995 | 2100 | 2270 |
| W mm | W mm | 1258 | 1462 | 1920 | 2190 |
| H mm | H mm | 1350 | 1755 | 2162 | 2339 |
| H' mm | H' mm | 800 (fissa) | 800-920 | 900-990 | 800-1100 |

